

Specialists in Gravimetric Blending & Controls

# OPTIYIELD

Extrusion Control  
Loss-in-Weight Hopper



## Benefits

- No Material Separation or De-mixing
- Precise control to Target Setpoint
- Starve-fed or Flood-fed Applications
- Gravity Fed Main Component allows Recipe Changes "On-the-Fly" with minimal waste
- Easily Removable, Easy Clean Weigh Hopper

## User Interface

- Intuitive Operator Functionality
- Comprehensive Report and Alarm Management
- Built-in Accuracy Trending & Data History Management
- Industry Standard Communication Protocols

## Options

- Liquid Additive Control
- Extruder lb/hr Control
- Weight per Length Control
- Average Thickness Control

**TSM's OPTI-YIELD** range of Loss-in-Weight systems offer precise measurement, total reliability and advanced extrusion control options to ensure consistent end product quality with reduced material usage. The Opti-Yield system provides continuous throughput measurement and automatic throughput control.

Haul off speed measurement can be added to ensure that the Weight per Length is controlled to the desired specification (yield control). This ensures that the product being produced is maintained at the desired average thickness or unit weight without operator intervention. This mode can be extended to weight per area control through entry or automatic measurement of material width.

The TSM OPTI-YIELD provides an extremely reliable, robust and precise solution for gravimetric extrusion control. The material is gravity fed directly to the extruder throat and can operate in starve or flood fed applications.



# OPTIYIELD

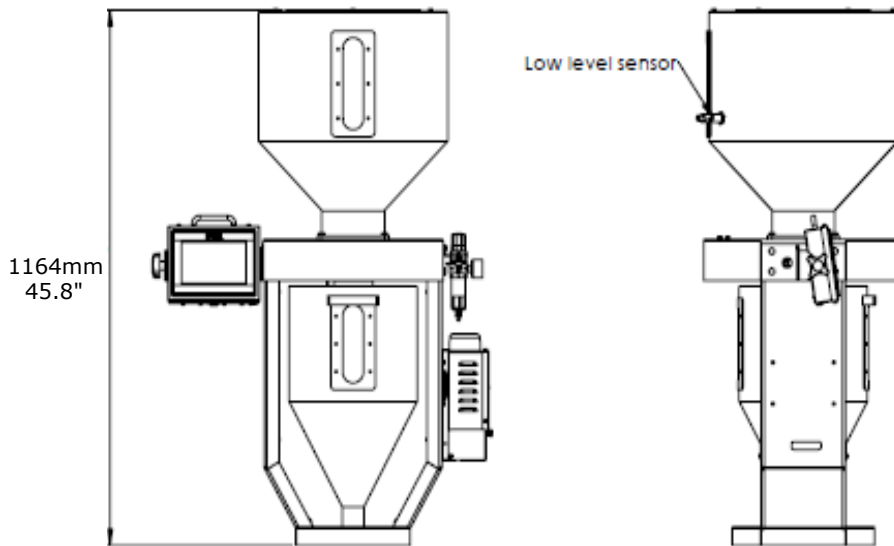
## Extrusion Control Loss-in-Weight Hopper

OPTI-YIELD RANGE	THROUGHPUT
OPTI-YIELD 200	200 Kg/hr - 440 lb/hr
OPTI-YIELD 400	400 Kg/hr - 880 lb/hr
OPTI-YIELD 1000	1000 Kg/hr - 2200 lb/hr

### Environmental

System Weight	(kg / lb)	80 / 176
Max Ambient Operating Temp	(°C / °F)	50 / 122
Max Material Temp	(°C / °F)	70 / 158
Max Optional Material Temp	(°C / °F)	130 / 266

### OPTI-YIELD 400



#### European Office

**TSM**  
Ard Easmuinn, Dundalk,  
Co. Louth, Ireland.

**Tel:** +353-42-9335560  
**Fax:** +353-42-9334422

**General Info:**  
Info@tsm-controls.com  
**Sales:**  
sales@tsm-controls.com  
**Support:**  
service@tsm-controls.com

#### North America Regional Office

**TSM Inc.**  
5950-L Shiloh Road East,  
Alpharetta, GA 30005, USA.

**Tel:** (770)886-6630  
**Fax:** (770)886-2395

**General Info:**  
Info@us.tsm-controls.com  
**Sales:**  
sales@us.tsm-controls.com  
**Support:**  
service@us.tsm-controls.com

#### Asia-Pacific Regional Office

**TSM Taiwan**  
Siangshang Street  
Taichung City, Taiwan,

**Tel:** +886-4-24728185  
**Fax:** +886-4-24728180

**General Info:**  
info@tsm-controls.com.tw  
**Sales:**  
sales@tsm-controls.com.tw  
**Support:**  
service@tsm-controls.com.tw

#### China Regional Office

**TSM China**  
Office Tower, China Hotel  
122 Liuhua Road, Guangzhou, China

**Tel:** +86-20-86266016  
**Fax:** +86-20-86266015

**General Info:**  
china@tsm-controls.com  
**Sales:**  
china@tsm-controls.com  
**Support:**  
china@tsm-controls.com